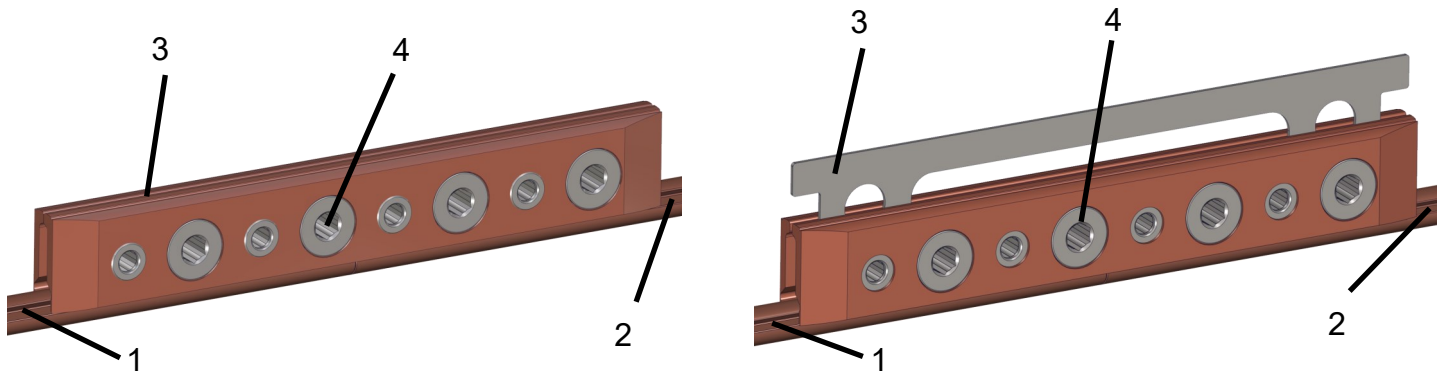


Contact wire splice fitting SKT



**A Splice fitting for contact wire groove type AC,
Contact wire groove 5.51 - 5.60 mm**

**B: Splice fitting with steel distance plate for contact wire groove type BC,
Contact wire groove 6.78 - 6.90 mm**

Tools:

- 1 torque wrench with hex insert bit - wrench size 8 mm, 50 Nm (37 lbf ft)
- 1 metal cutting saw, art. no. 656.000.002
- 1 metal file
- 1 wire brush

Installation:

1. AB Cut both ends of the contact wires [1] and [2] with a metal cutting saw in order to have a rectangular and even cut with a smooth surface.
2. AB Clean both ends with a wire brush to ensure a proper electrical connection.
3. A Make sure the steel distance plate [3] has been removed from between the plates of the splice fitting.
3. B Make sure the steel distance plate [3] is inserted inbetween the plates of the splice fitting.
4. AB Place the splice fitting on the two ends of the contact wire [1] [2] so both ends meet exactly in the middle of the splice. Make sure, that the teeth of the splice fit properly in the groove of the contact wire over the full length.
5. AB Tighten the hexagonal socket screws [4] with a torque of **50 Nm** (37 ± 3.7 lbf ft) beginning from the centre to the outside of the splice.
6. AB Re-tighten all screws [4] in the same order two times. This ensures that the splice teeth can properly grip and settle in the contact wire groove.
7. AB In case the both contact wires are not worn equally: even out the contact wire plane with a file to get a smooth transition from one contact wire to the other.

Legal information

The product must only be operated by trained specialists.

The product can be permanently damaged by loads that exceed the maximum values. If the product is exposed to absolute maximum loading for an extended period, it may impair the product's reliability and life. Arthur Flury AG will not accept any liability in this case.

Arthur Flury AG will not accept any liability for incorrect use and use for applications other than those specified in these instructions.

If damage to the product is suspected, any use or operation must be stopped immediately. Arthur Flury AG will not accept any liability in the event of continued use despite suspected damage.

Due to the diverse ways in which this product can be used, the instructions for use represent a general guide only and do not constitute a guarantee of the product's suitability for use in a specific application. The user is responsible for checking the full product data and clarifying the product's suitability for the intended use. The user is responsible for the choice of product and compliance with all the safety regulations and warnings. Please contact Arthur Flury AG if you require additional product information.

Our products comply with the current legal requirements and regulations (including RoHS, REACH, WEEE) in the markets where we operate. Please refer to Arthur Flury AG's Code of Conduct, available on our website, for further information.

These instructions are intended to provide the customer with information and should not be supplied unless accompanied by the product. The products and information in this publication require appropriately trained specialist personnel. Despite the greatest care being taken, the instructions may contain inaccuracies or typographical errors for Arthur Flury AG will not accept any liability. Arthur Flury AG may amend the instructions at any time, without notice, in the interests of technical progress. The customer is responsible for downloading an up-to-date version of the instructions from Arthur Flury AG's website before using the product.

Any brand and product names used in these instructions are registered marks ® or trademarks™ of their respective owners.

Arthur Flury AG will not accept any liability for damage incurred as a result of failure to comply with these instructions.