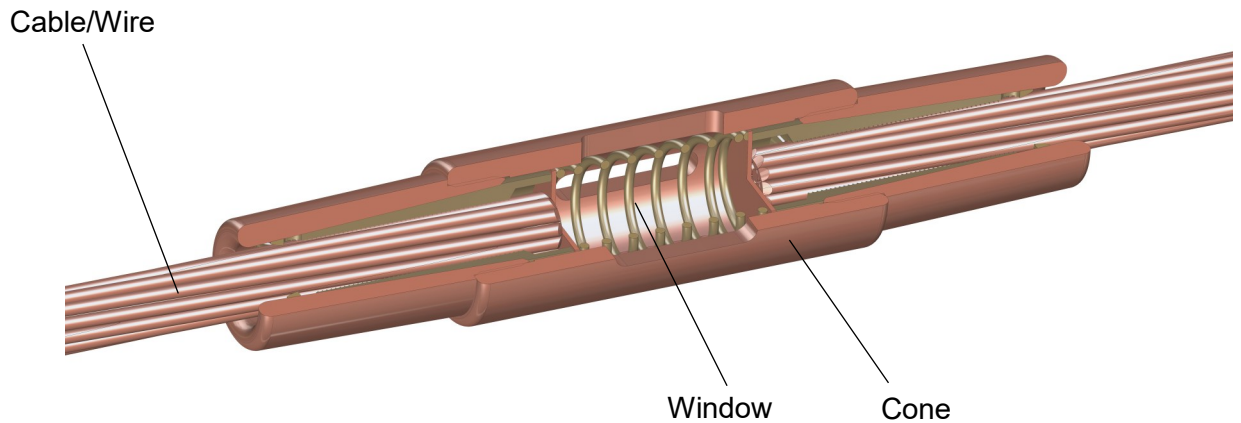


## Conical coupler KV

## Conical coupler for different size wires RV

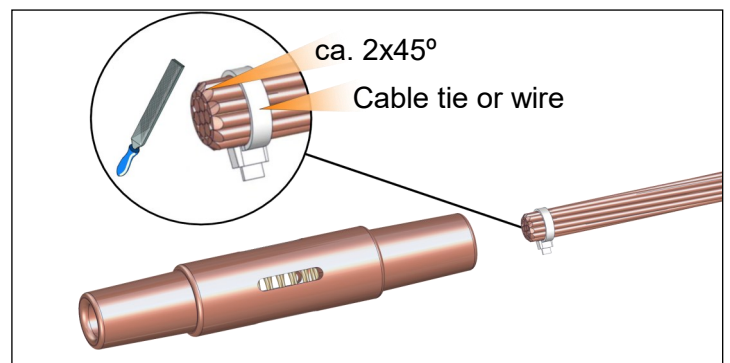


### Tools:

- 1 metal file
- 1 wire brush
- 2 cable ties or wires

### Installation:

1. Tie each cable end together with a wire or cable tie and file the cable edges (approx.  $2 \times 45^\circ$ ).

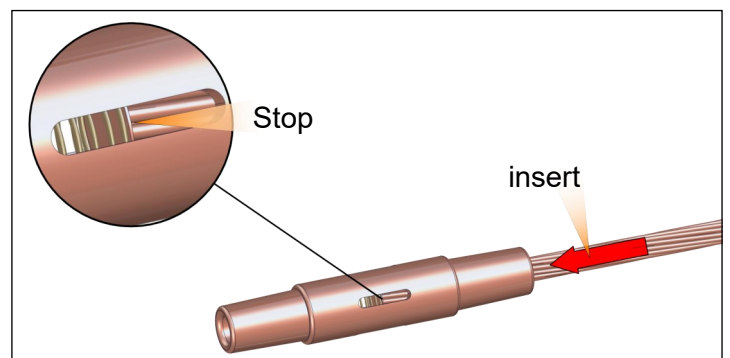


2. The cable should not be oxidized in the clamping part of the conical coupler. Oxidized cables should be cleaned with a wire brush.



3. Insert the cable carefully into the cone. The cable end must be visible through the window.

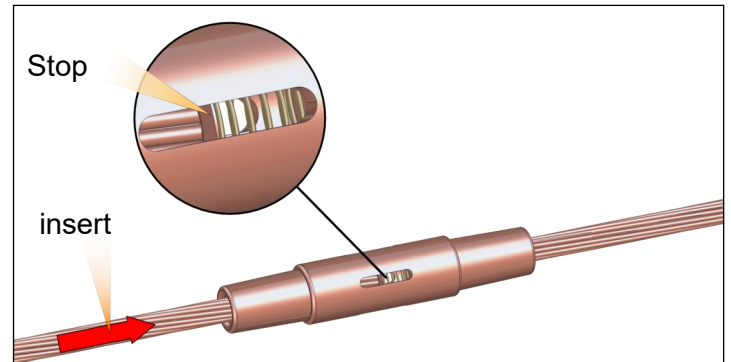
When inserting the cable, move the wire or cable tie gradually.



4. Insert the second cable carefully into the cone. The cable end must be visible through the window.

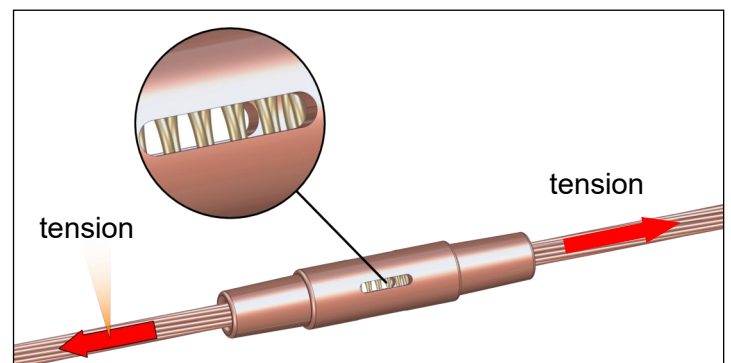
When inserting the cable, move the wire or cable tie gradually.

Remove the cable ties or wires.



5. Tension the cable to achieve the necessary clamping force.

The minimum tensioning force is at **3 kN**.



### Reuse of conical couplers:

1. Conical couplers that have been used under operating load may only be reused under specific conditions. Please contact Arthur Flury AG for further information.
2. For safety reasons the restoration of the conical couplers may only be carried out by Arthur Flury AG or a qualified partner. Otherwise, the guarantee will expire prematurely.

### Legal information

The product must only be operated by trained specialists.

The product can be permanently damaged by loads that exceed the maximum values. If the product is exposed to absolute maximum loading for an extended period, it may impair the product's reliability and life. Arthur Flury AG will not accept any liability in this case.

Arthur Flury AG will not accept any liability for incorrect use and use for applications other than those specified in these instructions.

If damage to the product is suspected, any use or operation must be stopped immediately. Arthur Flury AG will not accept any liability in the event of continued use despite suspected damage.

Due to the diverse ways in which this product can be used, the instructions for use represent a general guide only and do not constitute a guarantee of the product's suitability for use in a specific application. The user is responsible for checking the full product data and clarifying the product's suitability for the intended use. The user is responsible for the choice of product and compliance with all the safety regulations and warnings. Please contact Arthur Flury AG if you require additional product information.

Our products comply with the current legal requirements and regulations (including RoHS, REACH, WEEE) in the markets where we operate. Please refer to Arthur Flury AG's Code of Conduct, available on our website, for further information.

These instructions are intended to provide the customer with information and should not be supplied unless accompanied by the product. The products and information in this publication require appropriately trained specialist personnel. Despite the greatest care being taken, the instructions may contain inaccuracies or typographical errors for Arthur Flury AG will not accept any liability. Arthur Flury AG may amend the instructions at any time, without notice, in the interests of technical progress. The customer is responsible for downloading an up-to-date version of the instructions from Arthur Flury AG's website before using the product.

Any brand and product names used in these instructions are registered marks ® or trademarks™ of their respective owners.

Arthur Flury AG will not accept any liability for damage incurred as a result of failure to comply with these instructions.



# Arthur Flury AG