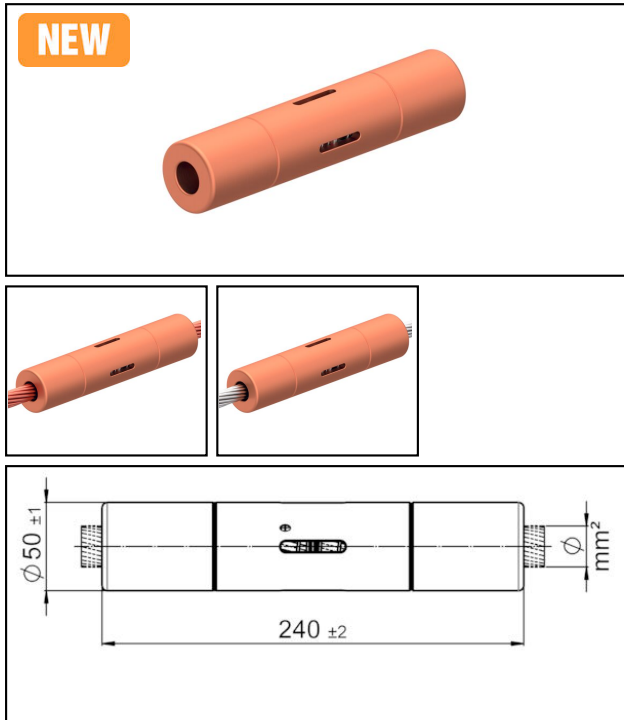


## Conical coupler

### KV240



#### Application

Tension and current-proofed connection for Cu, Bronze, Steel and Cu-Steel cables

#### Characteristics


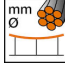
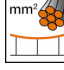

Service load min. 3 kN / max. 40 kN  
Breaking load of corpus min. 170 kN

#### Material

Corpus CuNiSi / Cone AlBz

#### Legend

1) Cone AlBz

Article-Nr.									
615.242.325	Cu325	23.4	323.8						2.63
615.242.356	PH356	24.5	356						2.61

Technical Specifications: **KV240**

	615.242.325	615.242.356
<b>Rail product name</b>	Cu325	PH356
<b>Catenary wire diameter</b>	23.4 mm	24.5 mm
<b>Catenary wire section</b>	323.8 mm <sup>2</sup>	356 mm <sup>2</sup>
Commercial specification		
<b>Customs number</b>	0	
<b>country of origin</b>	ZA*	
Logistic specification		
<b>Kilo / piece</b>	2.63 kg	2.61 kg

